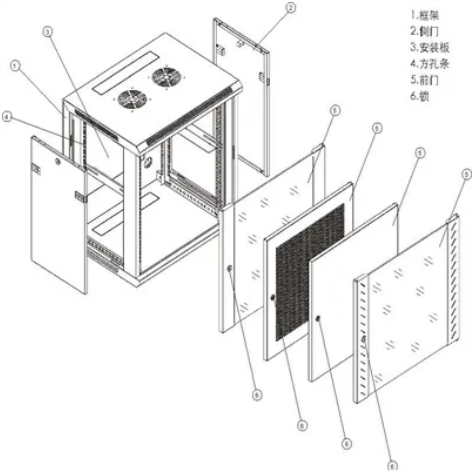


# What to do if the battery pack falls over



## Overview

So, why do lithium batteries stop working?

There are several possible reasons why a battery stops working and it could even be a combination of reasons. A BMS does a really great job of protecting a battery pack but they are not perfect and there are some circumstances that render their protections useless. For. In a lithium polymer battery, there is a polymer electrolyte inside that keeps the positive and negative sides of the battery separated. Over time and. As lithium-ion cells age, the battery slowly loses its ability to maintain as high of a voltage for as long as it used to. For example, if the battery in. Yes. A battery pack contains many battery cells. Not all of them are going to be bad. Depending on the battery pack's construction, it can range. Yes. A lithium-ion battery pack that has one or more bad cells can be extremely dangerous, especially if it's put under a heavy load. Battery packs are made from many lithium-ion cells. So.



## Article Content

Anyone dropped the battery?

Hi. I dropped my frame mounted Powerpack 500 battery as I was riding downhill yesterday. Somehow it came loose and hit the ground hard. Plastic housing scratched ...

FAQ: What to do if you have a swollen battery! : ...

What happens if my battery gets punctured? DO NOT INTENTIONALLY PUNCTURE A BATTERY. A puncture can cause the battery to swell, vent gas, or catch fire. If you have a punctured battery, store it in a fireproof container in a ...

Battery full charge capacity suddenly decreased. Is there a way to ...

The battery report remains the same however. A strange thing is that I have been plugged in with charging on from before the reformat, but now the battery percentage is lower 90+ to 85% currently. secondly, the battery light, orange for charging and green for full, is showing green, even though the battery percentage on the screen says 85%!

How to tell if a battery pack is draining while in water

We'd like to setup a battery pack into a similar state and put it into water. But the question is, how to tell if the battery is slowly draining out through the water. ... 100x probes (not the basic multimeter, as that would consume a discernible current itself), set it up to log voltage over time. If a high-impedance voltage measurement option ...

Lipo was under water

What voltage was the battery at when you retrieved the car quad? If it had been shorted out, it would have been far drained. If the voltage was still normal, it's possible the puddle water didn't contain enough conductive materials to create a ...

Common Failures in Lithium Battery Packs

The best way to deal with battery pack swelling is to prevent the battery from getting wet and to not have the battery constantly charging on a charger. With the pack constantly charging, it can cause the battery to age faster.

Battery Replacement under Warranty: What is the Current Model ...

My 2021 M3P (11,000 miles) will get a new/reconditioned/whatever battery pack under warranty, due to severe loss of range overnight (down to 220 miles @90% charge) ... That indicates you have a very healthy battery, over 80kWh (over ~80.6kWh actually). Click to expand.... Indeed, physics could not be overcome, and lower capacity battery would ...

Lithium-Ion Battery Fires: Causes, Risks & Preventive ...

Lithium-ion battery fires have more than doubled over the last five years. Insurance companies have confirmed a massive increase in five-figure claims related to battery fires. ... A single e-bike battery pack was identified as ...

### A Complete Guide to Understanding Battery Packs

Get a grip on battery pack versatility! Discover how these power sources can supercharge your gadgets and simplify your life. ... Refers to the number of full charge-discharge cycles a battery can go through before its capacity falls below 80% of the original. Typical consumer batteries have 300-500 cycles. ... over-discharge, and short-circuit ...

Accidentally dropped my power bank. Should I be a bit ...

It depends on quality and specifications. Reputable electronic manufacturers subject their products to a "drop test", typically 3 ft about 1meter. The impact of the fall goes ...

I have a Swollen Lithium-ion battery what should i do

On all occasions a swollen battery is discovered please raise an Incident. If at anytime the swollen battery starts to smoke, do not touch the battery, sound the fire alarm, dial 999 and ask for the Fire Service providing the details, follow the fire procedure and inform Security of your actions. HOW TO DISPOSE OF A SWOLLEN LITHIUM-ION BATTERY.

### Guide to Understand Lithium Battery Overheating

Lithium Ion Battery Pack . 7.4 V Lithium Ion Battery Pack ... Battery Age and Condition: Over time, batteries degrade. An aged or damaged battery is more prone to heating because its internal components break down, increasing internal resistance. Regularly using an old battery beyond its optimal performance range can lead to excessive heat ...

What to do if the battery falls off

A few leeches along the short walk to the falls. 3. Turn the battery pack off. Some electric bikes have an on and off switch on the battery pack. If your e-bike is dead and the battery pack has a power switch, turn it off and wait for a couple of minutes. Then, turn the battery pack on again and see if the battery will now work. 4.

### QWIC | FAQ about the E-bike Battery

Battery cells naturally lose charge over time and will discharge during long periods of storage. The BMS cannot prevent this, so it is necessary that the Battery will be charged again before it is placed into storage. ... → damage to the battery pack (falls, crashes, etc.) A Battery pack can catch fire when it is least expected, although ...

What Happens If a Lithium Battery Gets Wet? How to Take ...

When a lithium battery gets wet, water can infiltrate the internal components, accelerating chemical reactions that degrade functionality. Initially, users may notice subtle drops in energy efficiency, but 100ah lithium batteries can experience significant performance issues over time. As the internal connections corrode and materials break down, the battery struggles ...

### How to Repair a Battery Pack: A Comprehensive Guide

Repairing a battery pack is a complex but manageable process if approached methodically. By following safety precautions, accurately diagnosing faults, and replacing faulty ...

### 9 Bad Cell Phone Battery Symptoms to Be Addressed Immediately

While it's normal for phones to lose a few percentage points of battery charge quickly, a drop of 10% or more is a clear indication that your battery is failing. If you charge your phone until it is fully charged, but the battery life seems to run out quickly (2 hours or less) or if it shuts down, this may be another symptom that your battery is nearing the end of its life.

### What to Do With a Swollen iPhone Battery

Of the common signs your battery is failing, a swollen battery is the most urgent and dangerous. Battery swelling happens due to a little thing called outgassing, which occurs when a battery gets overcharged, damaged, or simply old. Under ...

### What's Battery DoD? Impact on Battery Life Explained

7.4 V Lithium Ion Battery Pack 11.1 V Lithium Ion Battery Pack 18650 Battery Pack ... Internal Damage and Over-Discharge: When the battery voltage drops too low (typically below 2.5V for lithium-ion batteries), it can cause permanent damage. This is because the electrochemical reactions inside the battery start to break down, and the battery ...

### Dropped my battery, now what?!

Next, take the damaged battery apart. Take all the 18650 cells out of the battery. Then go to Ebay and look at the following items: 18650 battery banks 18650 battery chargers 18650 flashlights 18650 laser pointers 18650 fans 18650 FM Radios Use the batteries from the the damaged pack and re purpose them for the items above.

### Tackling the Unexpected: What to Do When Your Car ...

Discover essential tips for handling unexpected car battery failures on the road. Learn how to stay prepared, troubleshoot issues, and get back on track swiftly with expert guidance. (647) 725-7750. How it Works; ... Just as you pack a ...

### Safety advice for your battery pack

When the battery pack or connected device has finished charging, disconnect the USB cable from the product and the device. The battery pack and charger may become hot while the battery pack is charging. If the temperature gets too high, the product may stop charging for safety. Do not subject the product to severe shock, such as dropping it.

batteries

If just gluing the halves back together will do the trick depends on the mechanical stress the case will encounter in the future: Maybe you want to wrap it in a layer of ...

When a Battery Falls or is Tipped Over

Set the battery aside for several hours on a cardboard sheet and look for signs of acid leakage. Any acid leaks must be tracked down and fixed by your battery serviceman.

...

What Happens if a Car Battery Tips Over

When a car battery tips over, the electrolyte solution inside can leak out and cause damage to surrounding components. If the battery is not cleaned up properly, the leaked electrolyte can also pose a safety hazard by corroding metal surfaces or causing chemical burns if it comes into contact with skin. If the battery is still functional after tipping over, it should be ...

Lithium-Ion Battery Degradation Rate (+What You Need to Know) ...

How today's degradation metrics are falling short. Often the complexities of battery degradation get boiled down into simple capacity or resistance metrics - together typically referred to as a State of Health: 1. Capacity measurement. Battery manufacturers analyze capacity changes over time to get a rough estimate of the degradation.

What to do if your child has an accident

Press until the bleeding stops. This may take 10 minutes or more. Do not tie anything around the injury so tightly that it stops the circulation. If possible, raise the injured limb. This will help to stop the bleeding. Do not do it if you think the limb might be broken. If you can find a clean dressing, cover the wound.

Dropped my battery, now what?!

Take battery to any nearest battery shop and get repaired it. Not many of us have a nearest battery shop. Some won't touch a lithium pack if there is one nearby.

A Beginner's Guide to Battery Fire Safety: What You ...

Hydrogen can form as a result of an internal chemical reaction in a battery, such as during overcharging or over-discharging. When the battery voltage exceeds a certain level, it can cause the breakdown of the electrolyte ...

Repairing Damaged Or Dead Cells In A 18650 Pack ...

When you get the battery pack initially you need to carefully remove the heat shrink tubing. This can be done carefully with a mat knife, but be careful to not cut the wires or into the BMS circuit board.

batteries

You don't say what the battery pack is out of. If it's like a cellphone or laptop it may clip or slide into a present battery holding location and making it fatter with tape or ties may cause it not to fit. Worse, if you use thin tape or ties it may cause the battery to jam. Levering a Lilon battery out of something is better avoided if possible.

Common Failures in Lithium Battery Packs

Swelling can occur for a number of reasons. For example, moisture may have intruded into the battery pack. Overcharging is also a common reason for battery pack swelling. Aging can also cause the battery pack to swell. As it ages, the battery pack can cause an elevation in temperatures. Example of a swollen lithium battery pack.

3 Reasons to Avoid Apple's MagSafe Battery Pack

Apple's MagSafe Battery Pack falls short in multiple departments, especially when compared against third-party alternatives. Here, we'll discuss three reasons why the MagSafe Battery Pack is not worth your money. What Is MagSafe Battery Pack? Apple's MagSafe Battery Pack is basically a power bank that you can use to charge your iPhone 12. Since ...

Causes Of Lithium Battery Pack Failure

In summary, the top causes of lithium-ion battery failure include charger issues, cell short circuits, punctures and leakage, battery pack swelling, and overheating. Proper charger usage, quality ...

Simple Undervoltage and Overcurrent Protection for Lithium-Ion ...

The elements of a BMS may be integrated into the battery pack (pack side), into the application itself (system side), or some combination of the two. Undervoltage Is Underrated If the voltage across a Li-ion/LiPo cell is allowed to fall below its minimum operating value (typically around 2.5V or 3.2V depending on the exact cell), the cell will be damaged.

What Happens If You Overfill The Battery?

At elevated temperatures slightly above room temperatures, more water is likely to vaporize and escape from the battery. If this is not checked, the battery acid may fall below and expose the battery plates. How To Prevent ...

Can You Overcharge LiFePO4 Battery - What To Do When It ...

**Avoid Complete Charge and Discharge:** Do not charge the battery to 100% capacity or discharge it to 0% to avoid the possibility of overcharging and over-discharging.  
**Correct Battery Charger:** Many users buy aftermarket chargers to save money rather than getting an authentic LFP charger. Poor-quality chargers can seriously degrade the battery ...

### How to Disassemble Lithium Battery Packs and Cells

Taking apart a lithium-ion battery pack may appear challenging at first, but with a solid approach and some patience, anyone can do it. ... In this article, we will go over how to disassemble lithium-ion battery packs. ... If the voltage falls by more than 0.1 or 0.2 volts, the cell may have a high degree of self-discharge.

### Emergency Procedures: What to Do When Your Marine Battery ...

Learn essential emergency procedures for dealing with marine battery failure at sea, including recognizing warning signs, immediate actions to take, and long-term solutions for reliability. Understand the importance of deep cycle marine batteries and get expert tips for choosing the right battery for your vessel.

## Contact Us

For more information, pricing, or custom solutions, please contact us:

Website: <https://www.creperielamauvaisegraine.fr>

Email: [sales@creperielamauvaisegraine.fr](mailto:sales@creperielamauvaisegraine.fr)

Phone: +33 6 48 37 91 02

Address: 12 Rue de la Paix, 75002 Paris, France

This document is for informational purposes only. Specifications subject to change without notice.

