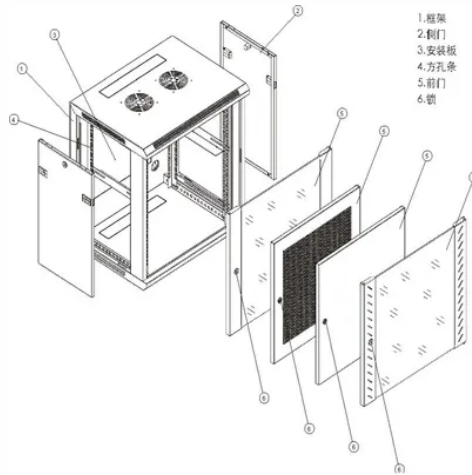


Solar battery cabinet wh battery cost



Overview

Typical Franklin Wh battery cost varies by capacity and installation. Buyers generally pay between \$400-\$1,600 per kWh installed; small 1-5 kWh modules cost less upfront while whole-home 10-20 kWh systems are at the higher end. Costs have dropped 47% since 2020. Why trust EnergySage?

How much do solar batteries cost?

How much do solar batteries cost in your state?

What impacts the cost of solar batteries?

Picture this: The grid goes down during a summer storm. What Makes Up the Price of a Solar Storage Battery System?

Battery cost: Typically 50%-70% of the total. Inverter: Converts DC to AC, about 10%-20% of the price. Installation & labor: Usually 10%-20%, varies by complexity and local labor. Let's cut to the chase: battery energy storage cabinet costs in 2025 range from \$25,000 to \$200,000+ - but why the massive spread?

Whether you're powering a factory or stabilizing a solar farm, understanding these costs is like knowing the secret recipe to your grandma's famous pie.

Article Content

How Much Does Solar Battery Cost in 2025

The storage battery often plays the largest role in the final cost. This guide explains market prices for solar storage batteries in 2025, what drives those costs, and where prices may be

241.1kWh solar photovoltaic LiFePO4 battery industrial commercial ...

1.Air-cooled integrated cabinet cuts construction period for C& I energy storage projects greatly. 2.LiFePO4 battery ensures 5-10 years reliable running and low whole-cycle cost. 3 pports

76 empleos de «Rwanda+12v300ah+solar+battery+cabinet» en

Los 76 empleos más populares de «Rwanda+12v300ah+solar+battery+cabinet» en República Dominicana hoy. Sácale el máximo partido a tu red profesional y consigue que te contraten. Se

EXPLORING THE PROS AND CONS OF SOLAR BATTERY

How much does solar energy storage cabinet lithium battery cost in battery cabinet
The average lithium home storage battery system costs between \$7,000 and \$30,000 installed, with most homeowners

Solar Photovoltaic System Cost Benchmarks

The U.S. Department of Energy's solar office and its national laboratory partners analyze cost data for U.S. solar photovoltaic systems to develop cost

Germany Battery Storage Grid Crisis 720GW Queues

Integrate with onsite solar PV to maximize self-consumption and minimize grid imports
Manage battery degradation to balance short-term

Industrial Lithium Ion Battery Manufacturer | LITHIUM

LITHIUM STORAGE is a leading industrial lithium ion battery manufacturer providing lithium battery cells, battery modules, battery packs and BMS systems, covering

BSLBATT: Residential Solar Battery & ESS Solutions for Homes

Explore BSLBATT's residential solar battery systems for your home. High-performance, certified ESS designed for solar integration. Partner with us for reliable home energy solutions.

Large Battery for Solar + Storage

Large Outdoor Battery Enclosures Solar & UPS backup power system battery enclosures for off-grid or grid-connected solar systems. Industrial Quality ·

WattCycle 48V 100Ah Battery Review: Worth Buying?

WattCycle 48V 100Ah battery review: we ran performance, BMS and value tests on this budget rack battery. Is a server rack battery this cheap worth buying?

Solar Battery Storage System Cost: A Guide to Average Prices and

The cost of a solar battery storage system typically ranges from \$5,000 to \$15,000, including installation. Prices depend on the brand and battery capacity.

Solar Battery Cost Guide 2026 - Design Transition Studio

Buyers typically pay for solar battery storage based on system size, chemistry, and installation complexity. The main cost drivers include battery capacity (kWh), inverter compatibility,

Solar Battery Storage System Cost 2026

Prices for solar battery storage systems vary widely by capacity, chemistry, and installation. The main cost drivers include battery capacity, inverter compatibility, system sizing, and

Franklin Wh Battery Cost: What Buyers Pay for Energy Storage 2026

Typical Franklin Wh battery cost varies by capacity and installation. Buyers generally pay between \$400-\$1,600 per kWh installed; small 1-5 kWh modules cost less upfront while whole-home

Solar Battery Storage: How Much They Cost and Their Value Explained

As the demand for renewable energy continues to rise, understanding the costs and benefits of these systems is crucial. In the next section, we will analyze the different types of solar

ECO-WORTHY 10KW Output Home Off-Grid Solar Power System: 30

ECO-WORTHY 10KW Output Home Off-Grid Solar Power System: 30.72kwh Server Cabinet with Communication Lithium Battery, Large Capacity, More Freedom.4720W Monocrystalline Photovoltaic

Home Battery Storage Cost 2026: Complete Pricing Guide | OhmSnap

Home battery storage costs \$800-\$1,650 per kWh installed in 2026. Compare Tesla Powerwall 3, Enphase IQ 5P, Franklin WH aPower2, Sonnen, and Generac PWRcell pricing, capacity, and

Energy Storage Battery Prices in Yemen: Trends, Challenges, and ...

3 Key Drivers Shaping Yemen's Battery Market 1. Solar Energy's Ascent Solar panels now power 23% of Yemeni households . But without storage, they're like camels without humps -

Battery Energy Storage Cabinet Cost: A 2025 Breakdown for

Let's cut to the chase: battery energy storage cabinet costs in 2025 range from \$25,000 to \$200,000+ - but why the massive spread? Whether you're powering a factory or stabilizing a solar

What It Really Costs to Live Off-Grid With Solar in 2025

What Is an Off-Grid Solar System? Why People Go Off-Grid Don't Just Go Off-Grid—Plan for Space, Too What Affects the Cost of an Off-Grid

Solar Panel Battery Storage Cost Guide 2026

Homeowners typically spend between \$8,000 and \$25,000 for a residential solar battery storage system, depending on capacity, chemistry, and installation complexity.

Solar battery cost: Are they actually worth it in 2026?

If you just want to back up a few critical loads, your solar battery cost will be lower. But if you're looking to back up your whole home or go off-grid, expect to pay a lot for battery storage

Contact Us

For more information, pricing, or custom solutions, please contact us:

Website: <https://www.creperielamauvaisegraine.fr>

Email: sales@creperielamauvaisegraine.fr

Phone: +33 6 48 37 91 02

Address: 12 Rue de la Paix, 75002 Paris, France

This document is for informational purposes only. Specifications subject to change without notice.

